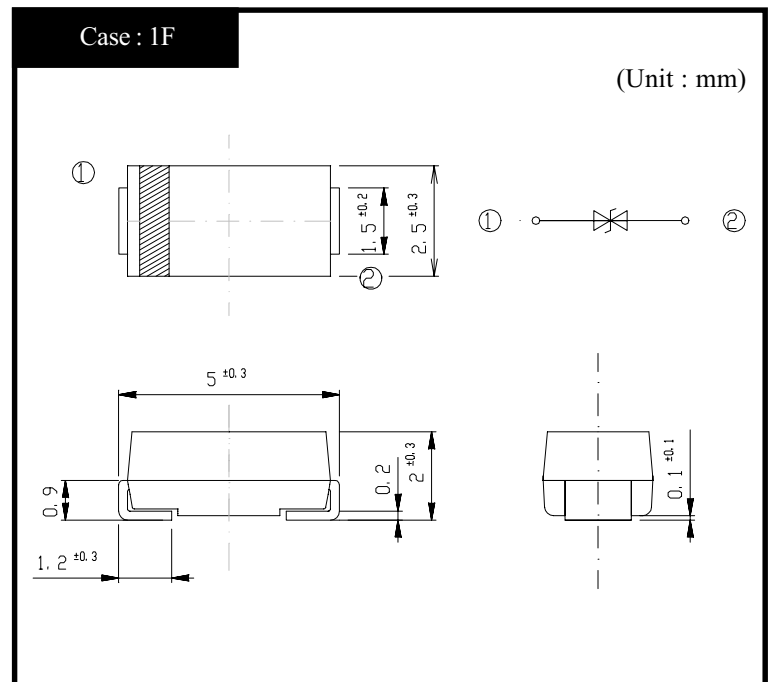


DL04-18F1

OUTLINE DIMENSIONS



RATINGS

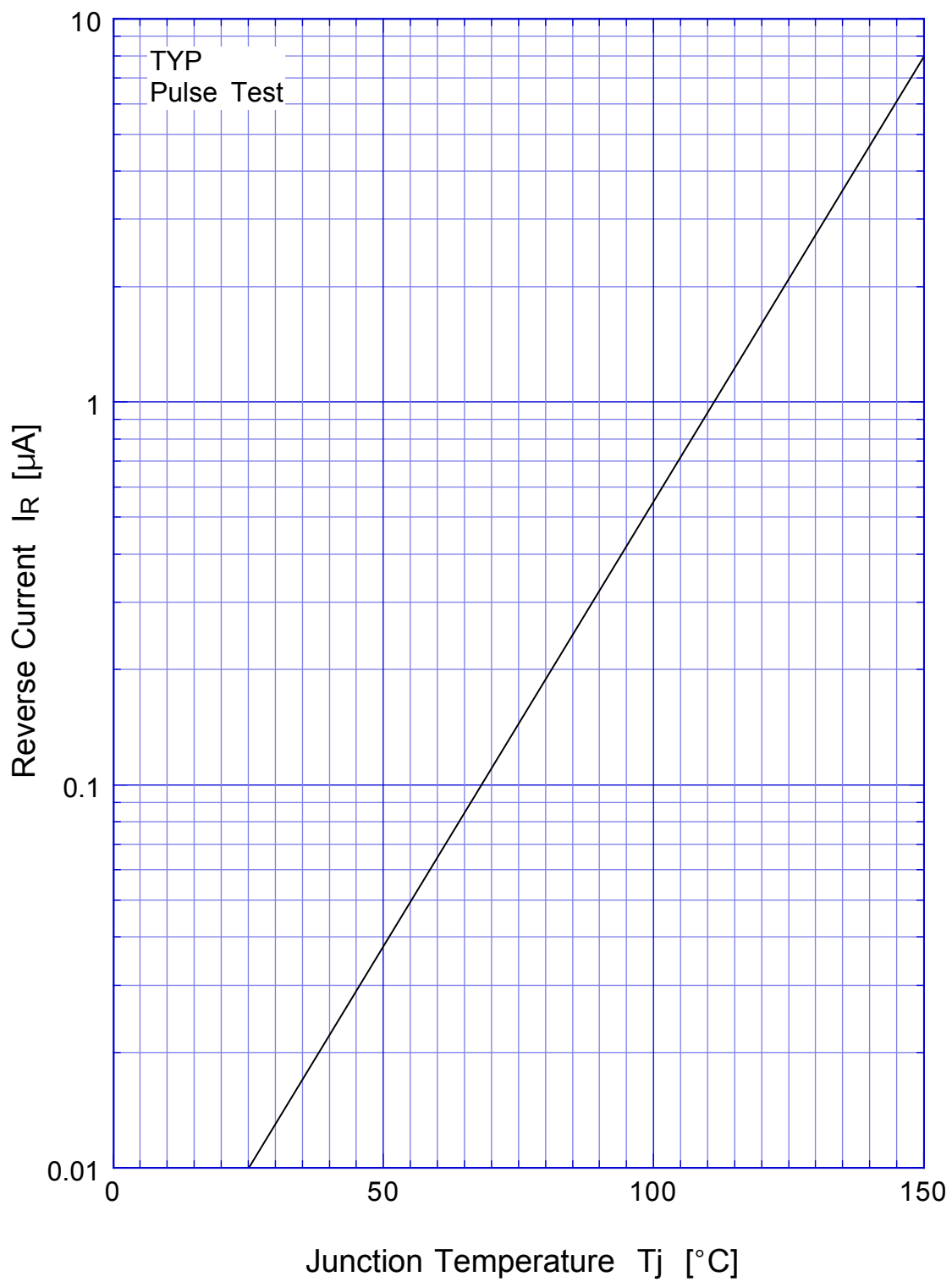
● Absolute Maximum Ratings (Tl=25°C)

Item	Symbol	Conditions	Ratings	Unit
Storage Temperature	T _{stg}		-55~150	°C
Operating Junction Temperature	T _j		150	°C
Peak Surge Reverse Power	P _{RSM}	10/1000 μ s, Non-repetitive	400	W
Maximum Reverse Voltage	V _{RM}		13	V

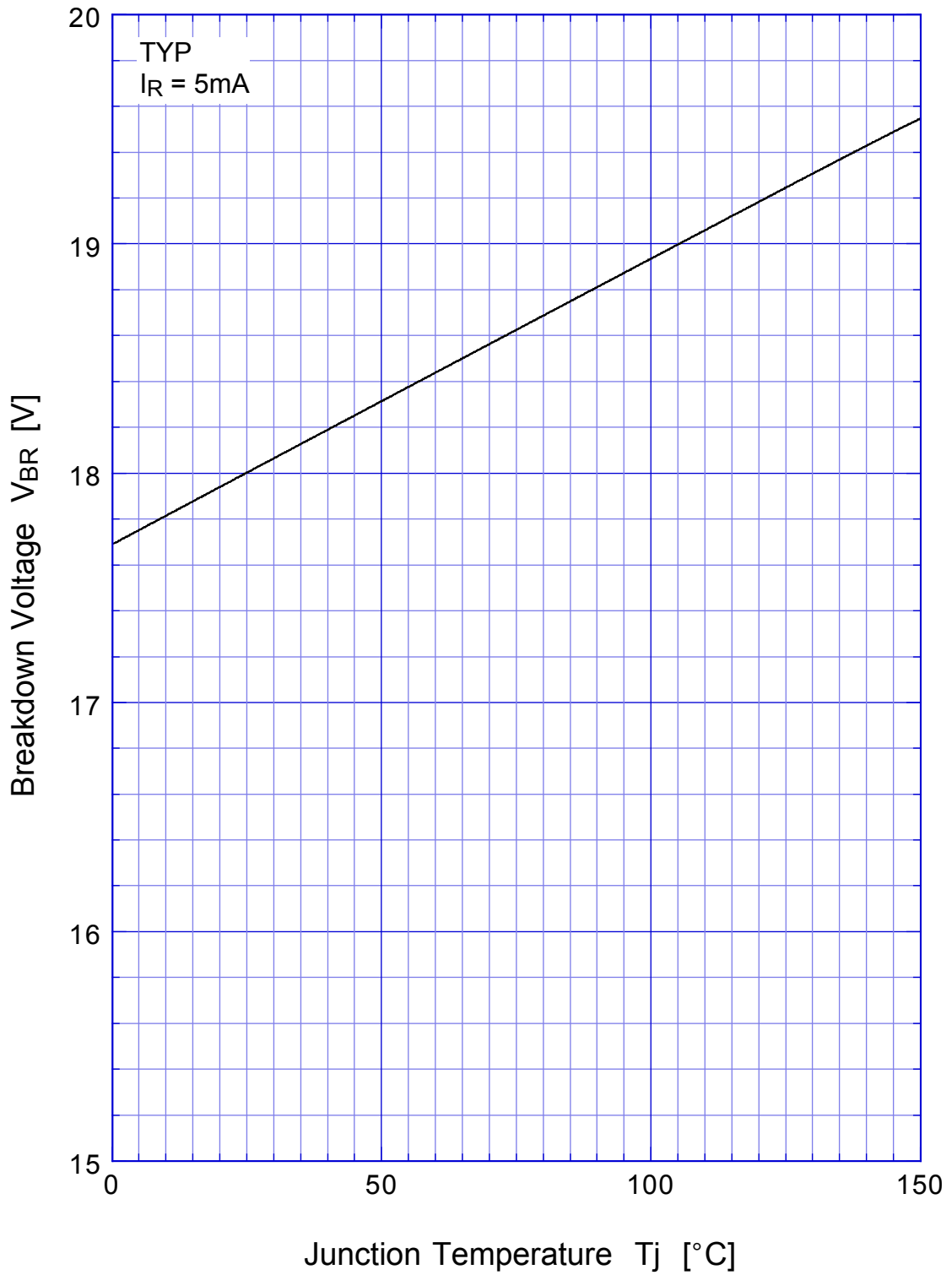
● Electrical Characteristics (Tj=25°C)

Item	Symbol	Conditions	Ratings	Unit
Movement Start Voltage	V _{BR}	I _R = 5mA	16.8~19.1	V
Restriction Voltage	V _{CL}	I _{PP} = 15A	MAX 26	V
Leak Current	I _R	V _R = V _{RM}	MAX 5	μ A

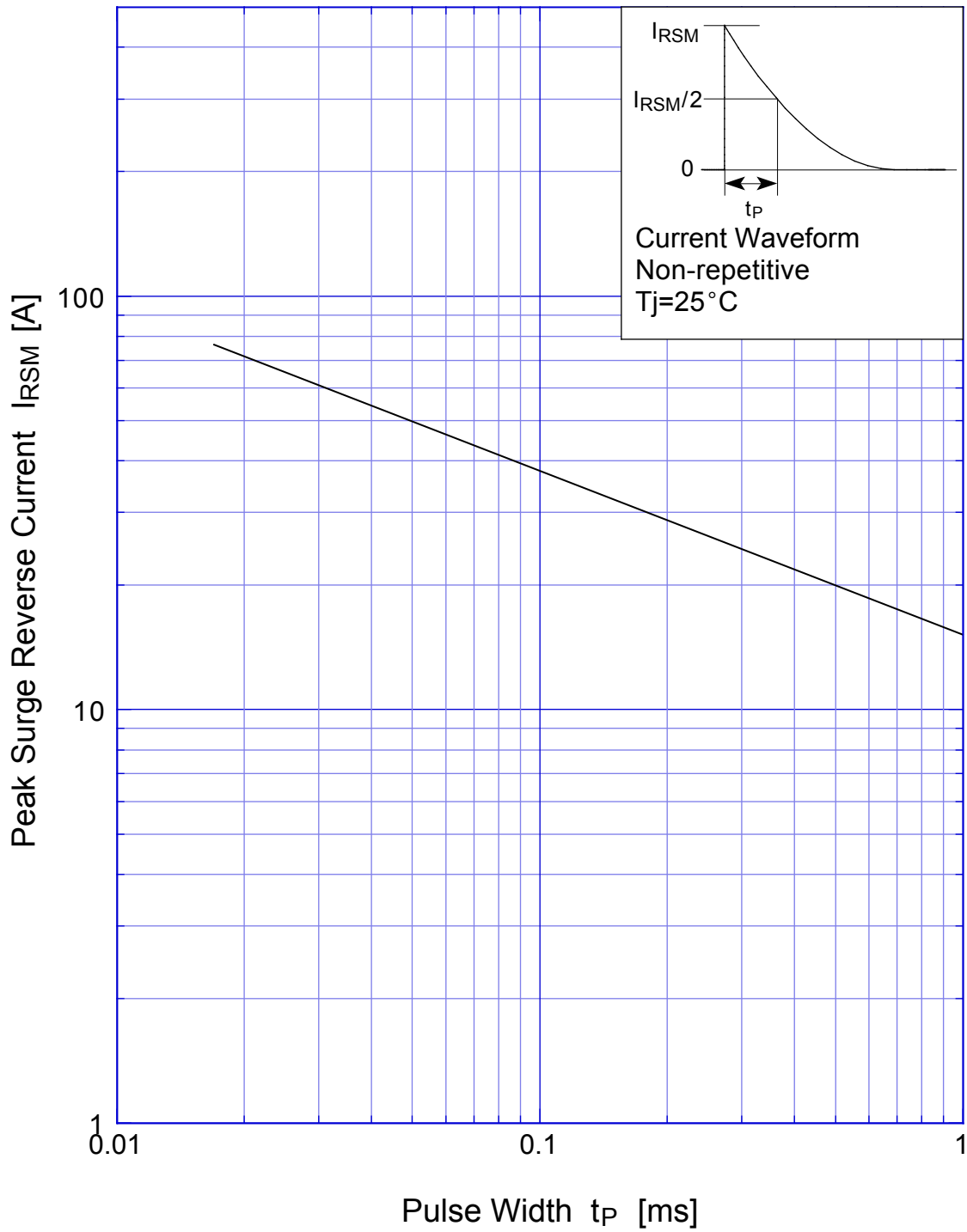
DL04-18F1 Reverse Current



DL04-18F1 Breakdown Voltage

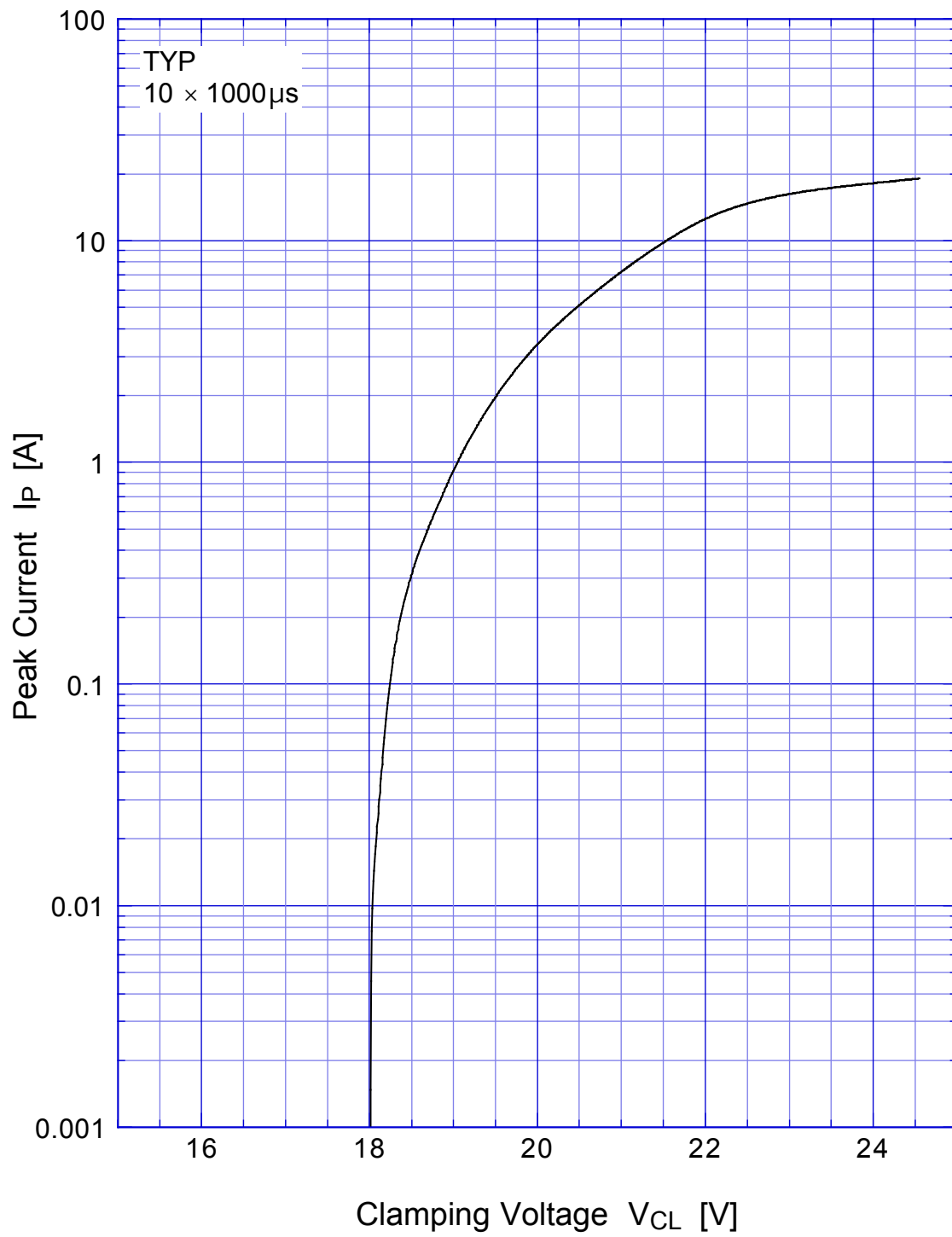


DL04-18F1 Peak Surge Reverse Current

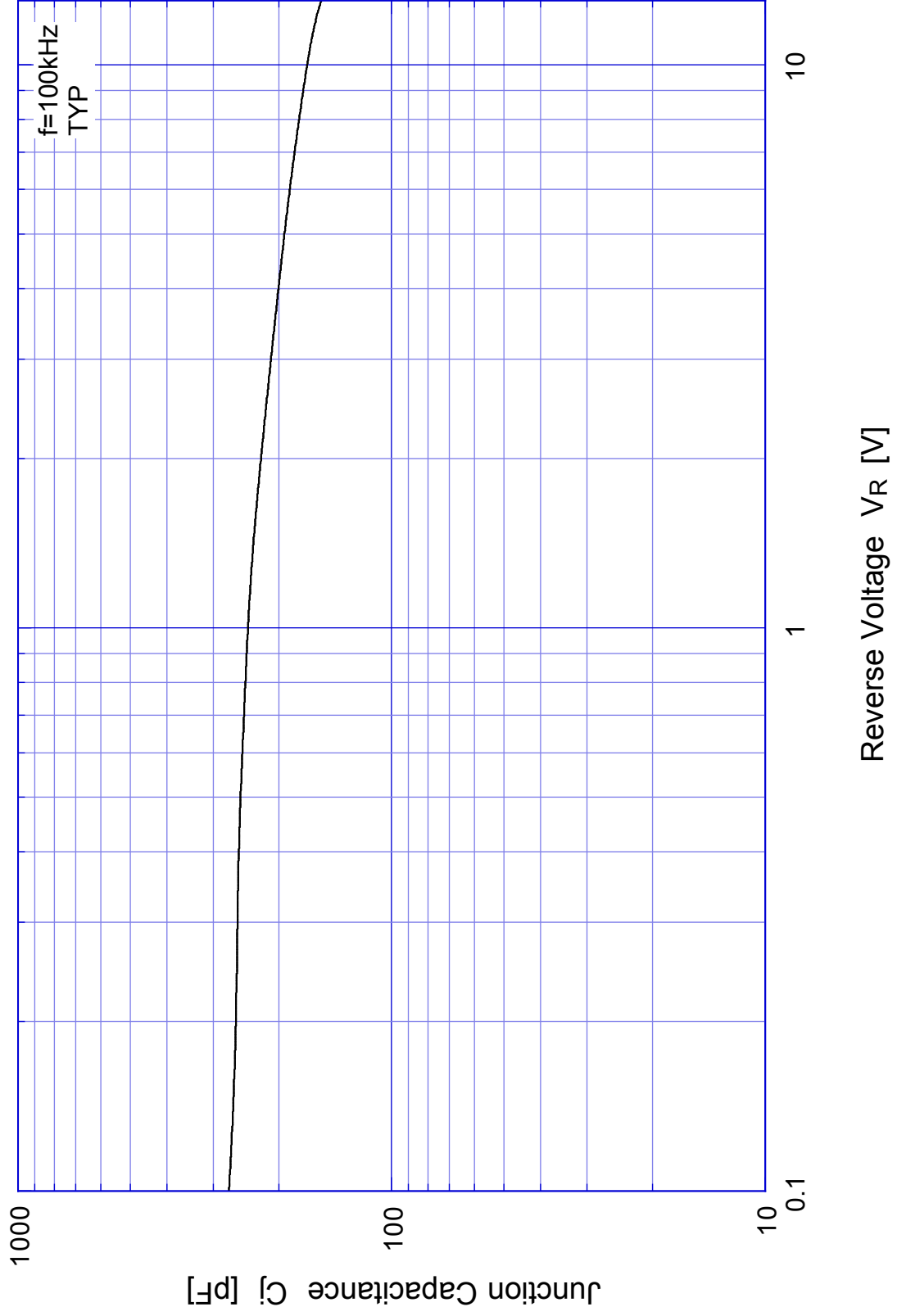


DL04-18F1

Clamping Voltage



DL04-18F1 Junction Capacitance



DL04-18F1 Junction Capacitance

